

4

3

2

1

THIS DRAWING IS UNPUBLISHED.  
DIFFUSION RESEINTE AMP

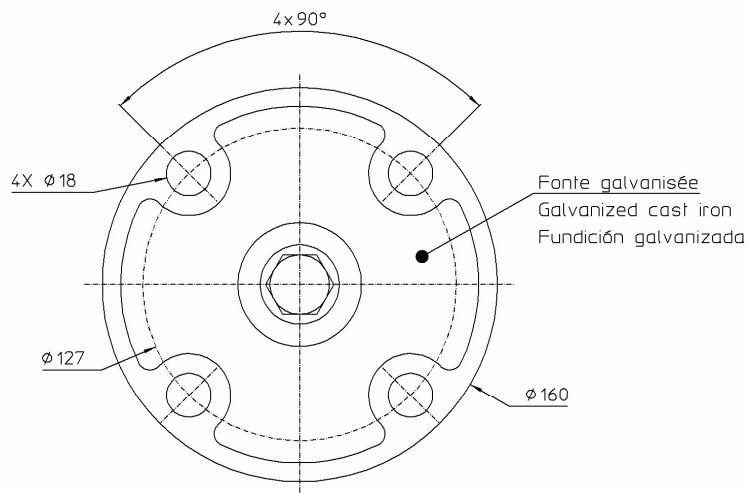
RELEASED FOR PUBLICATION .19

COPYRIGHT 1997

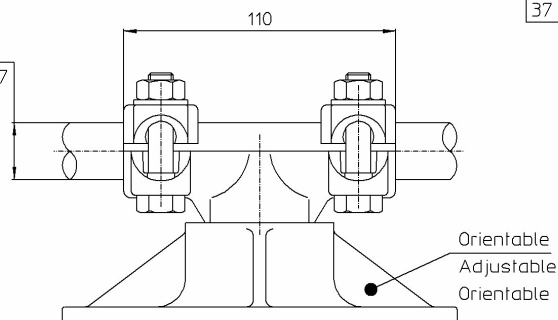
BY AMP INCORPORATED. ALL RIGHTS RESERVED.  
TOUS DROITS RESERVESLOC  
FHDIST  
2

REVISIONS

P	LTR REV	DESCRIPTION MODIFICATIONS	DATE	DWN DESS.	APVD APP.
	A	E000-0247-07	4-Jun-07	EN	LR

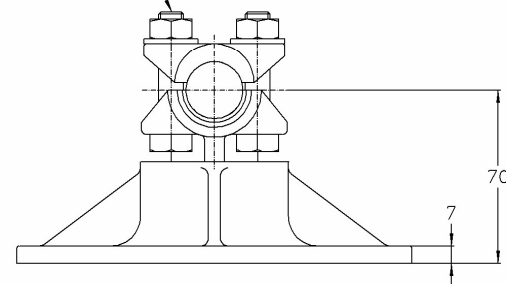



Cable  $\phi 20.1$  à 22.7  
Cable 20.1DIA to 22.7  
Cable  $\phi 20.1$  a 22.7



37 Nm

- 4 Boulons  $\phi 10$  acier inox A2
- 4 Bolts 10 DIA stainless steel A2
- 4 Tornillos  $\phi 10$  acero inoxidable A2



THIS DRAWING IS A CONTROLLED DOCUMENT FOR AMP INCORPORATED IT IS SUBJECT TO CHANGE AND THE CONTROLLING ENGINEERING ORGANIZATION SHOULD BE CONTACTED FOR THE LATEST REVISION CE PLAN EST UN DOCUMENT CONTROLÉ PAR AMP INCORPORATED. IL EST SUSCEPTIBLE D'ÊTRE REVISÉ. CONTACTER LE SERVICE TECHNIQUE D'AMP SIMEL POUR OBTENIR LA DERNIÈRE REVISION		DWN /DESSINE NIVONIS	4-Jun-07	 <b>SIMEL PRODUCTS</b>	
DIMENSIONS: mm		CHK /VERIFIE GODARD	4-Jun-07		
TOLERANCES UNLESS OTHERWISE SPECIFIED PER TOLERANCES NON SPECIFIEES SELON . -		APVD /APPROUVE ROYER	-	PRODUCT SPEC SPEC. PRODUIT 02BFH0062	APPLICATION SPEC SPEC. APPLICATION -
MATERIAL MATIERE	FINISH FINITION	WEIGHT MASSE APPROX	1.7 KG	SIZE FORMAT	A3
-		-		CAGE CODE	00779
-		-		DRAWING NO No PLAN	©=2019170
-		-		UNIQUEMENT POUR REFERENCE	SCALE ECHELLE 1/2
-		-		SHEET FEUILLE 1	OF DE 1
-		-		REV	A

ITEM: ..... ○